

Spare parts

Contents

General notes _____	15/2
Overview of spare parts: Three-phase asynchronous motors with squirrel-cage rotor _____	15/3
Exploded view (IE.-)K2.R 56 bis (IE.-)132 T	
Exploded view K1.R, (IE1-)K2.R, (IE1-)K.2R 112 to 355, IE2-W.1R, IE3-W41R	
Overview of spare parts: Three-phase transnorm motors with squirrel-cage rotor _____	15/6
Exploded view W42R 355 to 400	
Overview of spare parts: Three-phase asynchronous motors with slip-ring rotor _____	15/8
Exploded view S..R 132 bis 315 M, S..H 132 to 315 M	
SPR, SPH, S10R, S10H	
Exploded view S11R/S11H 315 MX, MY, LX, LY	
Overview of spare parts: Three-phase roller table motors _____	15/11
Exploded view ARB 22 to 65	
Exploded view ARC 112 to 400	
Exploded view AR. 112 to 400	

General notes

Delivery promise regarding replacement motors and spare parts

Spare parts remain available for five years after discontinuation of a series. Beyond this period of five years, VEM continues to provide technical information on both the complete motor and its components, and endeavours to supply requested spare parts (subject to availability); if spare parts are no longer available, corresponding manufacturing documents can be provided.

Information required when ordering spare parts

Orders for spare parts must include the following information:

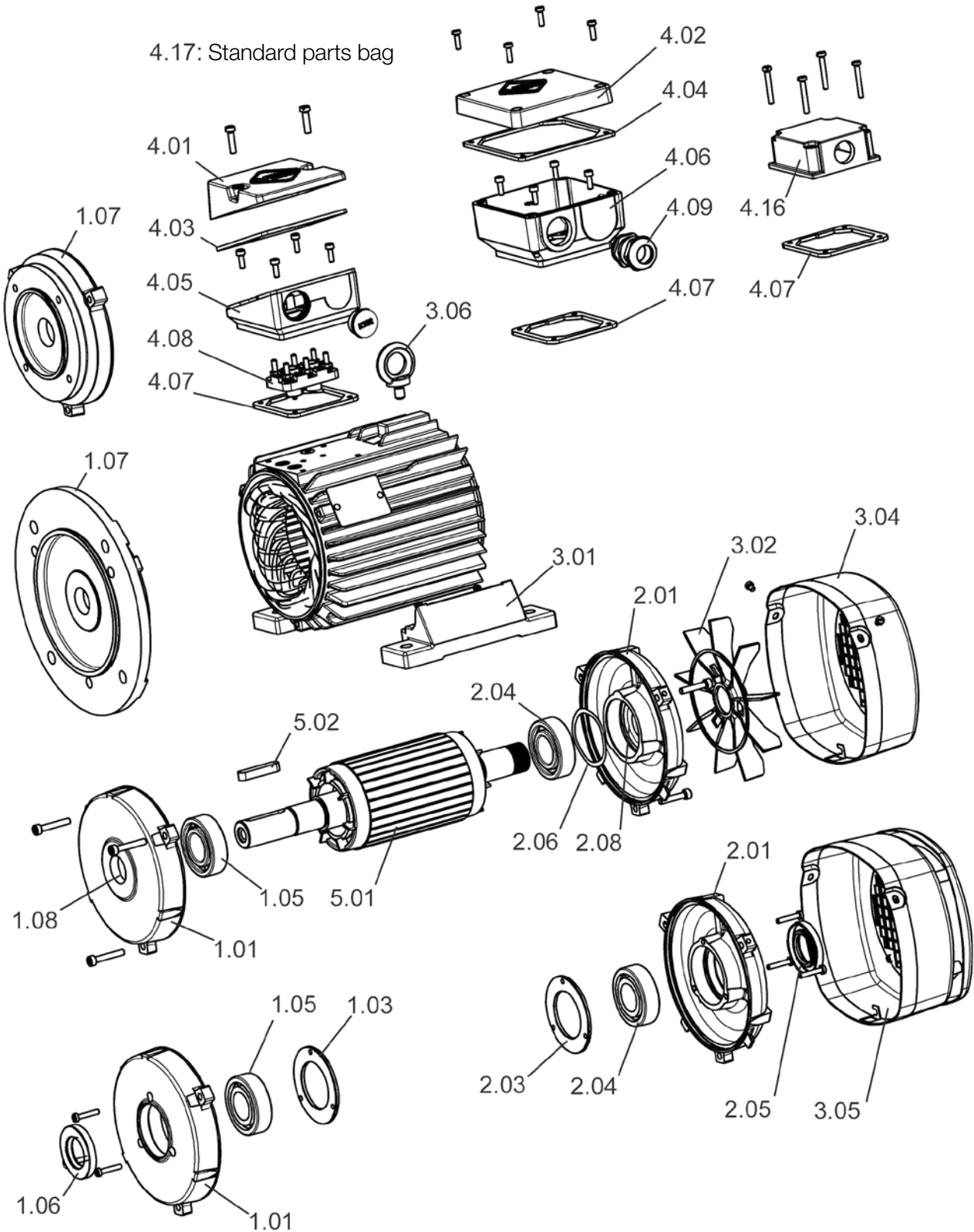
- Motor designation and motor number (serial number)
- Designation of the spare part
- Year of manufacture

Overview of spare parts: Three-phase asynchronous motors with squirrel-cage rotor

Item no.	Designation
1.01	End shield, D-end
1.02	Bearing cover, D-end, outside
1.03	Bearing cover, D-end, inside
1.04	Disc spring/wave spring, D-end, not with roller bearings
1.05	Antifriction bearing, D-end
1.06	V-ring, D-end
1.07	Flange end shield
1.08	Felt ring, D-end
2.01	End shield, N-end
2.02	Bearing cover, N-end, outside
2.03	Bearing cover, N-end, inside
2.04	Antifriction bearing, N-end
2.05	V-ring, N-end
2.06	Wave spring, N-end (or D-end)
2.08	Felt ring, N-end
3.01	Motor feet (pair)
3.02	Fan
3.03	Fan cowl, plastic
3.04	Fan cowl, sheet steel
3.05	Fan cowl with canopy
3.06	Eye bolt
4.01/4.02	Terminal box cover
4.03/4.04	Gasket, terminal box cover
4.05/4.06	Terminal box base
4.07	Gasket, terminal box base
4.08	Terminal plate
4.09	Cable gland
4.10	Screw plug
4.11	Cable gland for thermal winding protection
4.12	Terminal for thermal winding protection
4.13	Clamp
4.14	Sealing plugs
4.15	Adapter plate
4.16	Flat terminal box
4.17	Standard parts bag
5.01	Rotor, complete
5.02	Shaft key
6.01	Thrower ring, D-end
6.02	Thrower ring, N-end
6.03	Labyrinth gland, D- and N-end
6.04	Guide disc, D-end
6.05	Guide disc, N-end

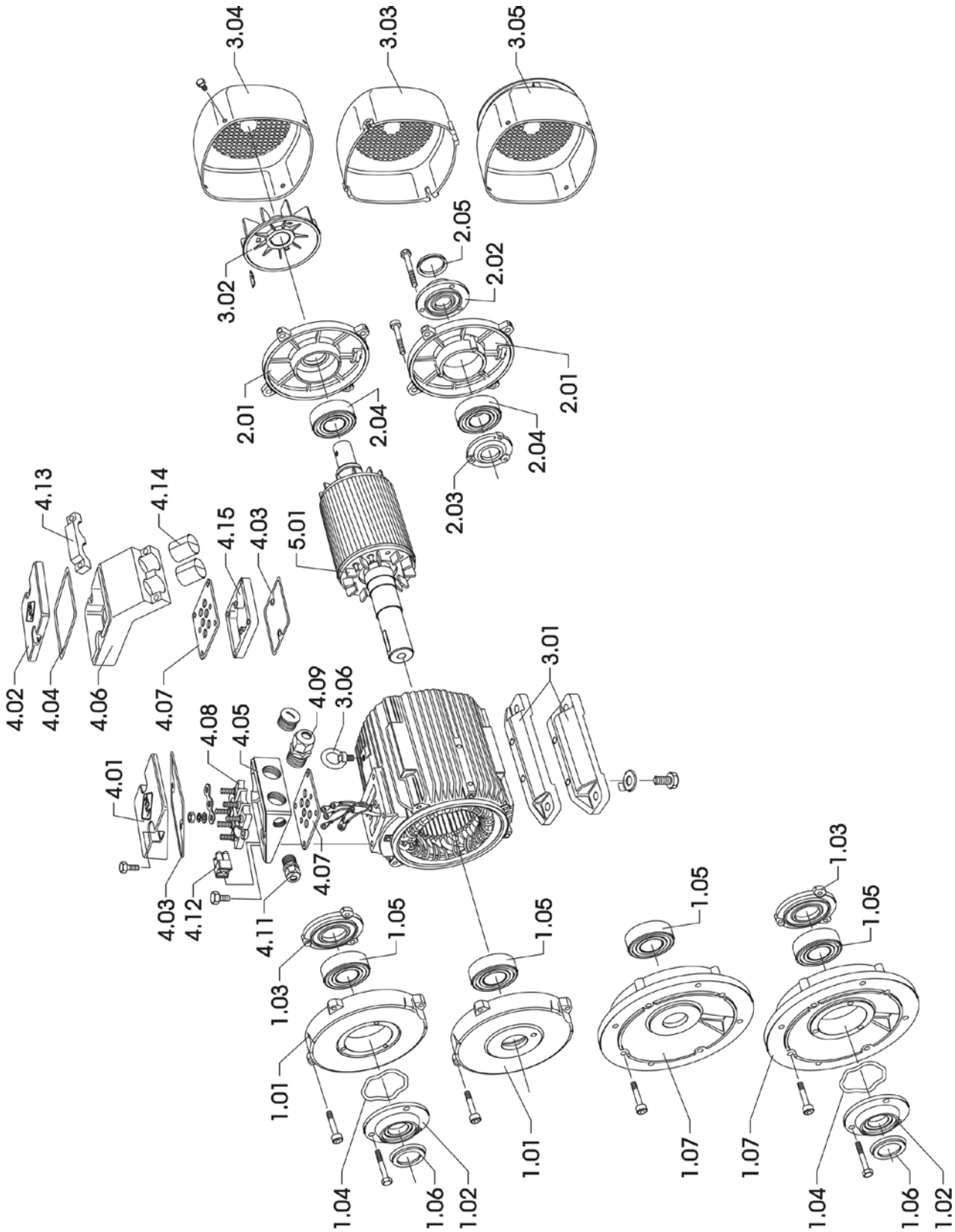
Three-phase asynchronous motors with squirrel-cage rotor, (IE-)K2.R 56 to (IE-)132 T

(Example; delivered version may differ in certain details)



Three-phase asynchronous motors with squirrel-cage rotor, K1.R, (IE1-)K2.R, (IE1-)K.2R 112 to 355
IE2-W.1R, IE3-W41R

(Example; delivered version may differ in certain details)

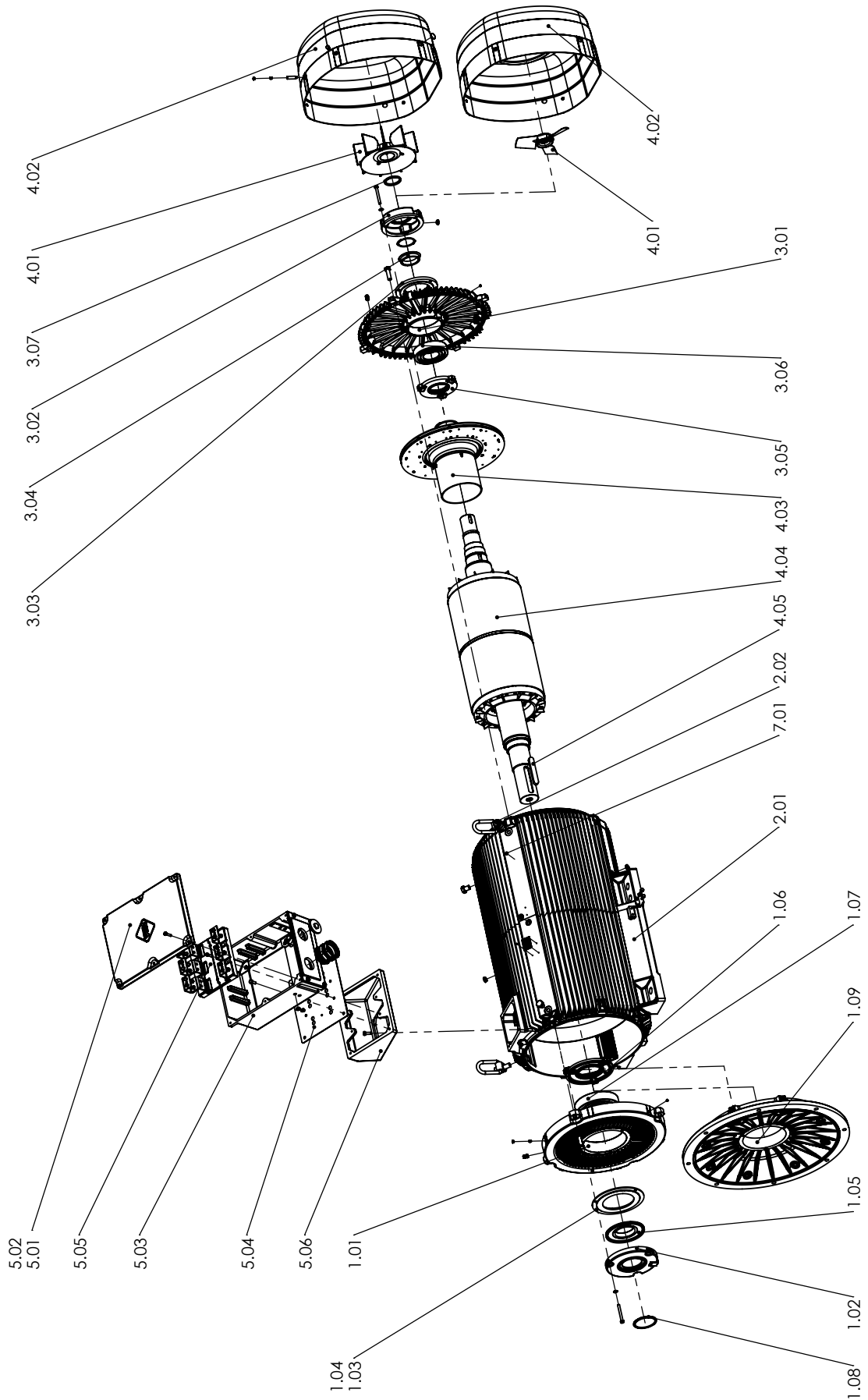


Overview of spare parts: Three-phase transnorm motors
with squirrel-cage rotor
Basic version W42R 355 bis 400

Item no.	Designation
1.01	End shield, D-end
1.02	Bearing cover, D-end, outside
1.03	Guide disc, D-end
1.04	Pressure springs
1.05	Thrower ring, D-end
1.06	Bearing cover, D-end, inside
1.07	Antifriction bearing, D-end
1.08	Sealing ring, D-end
1.09	Flange end shield
2.01	Housing with winding
2.02	Eye bolt
3.01	End shield, N-end
3.02	Bearing cover, N-end, outside
3.03	Guide disc, N-end
3.04	Thrower ring, N-end
3.05	Bearing cover, N-end, inside
3.06	Antifriction bearing, N-end
3.07	Sealing ring, N-end
4.01	Fan
4.02	Fan cowl
4.03	Internal fan
4.04	Rotor, complete
4.05	Shaft key
5.01	Terminal box, motor type W4..
5.02	Terminal box cover
5.03	Gasket, terminal box cover
5.04	Terminal box base
5.05	Gasket, terminal box base
5.06	Terminal plate
5.06	Adapter flange with gasket
7.01	Transponder

Three-phase transnorm motor with squirrel-cage rotor, basic version W42R 355 to 400

(Example; delivered version may differ in certain details)

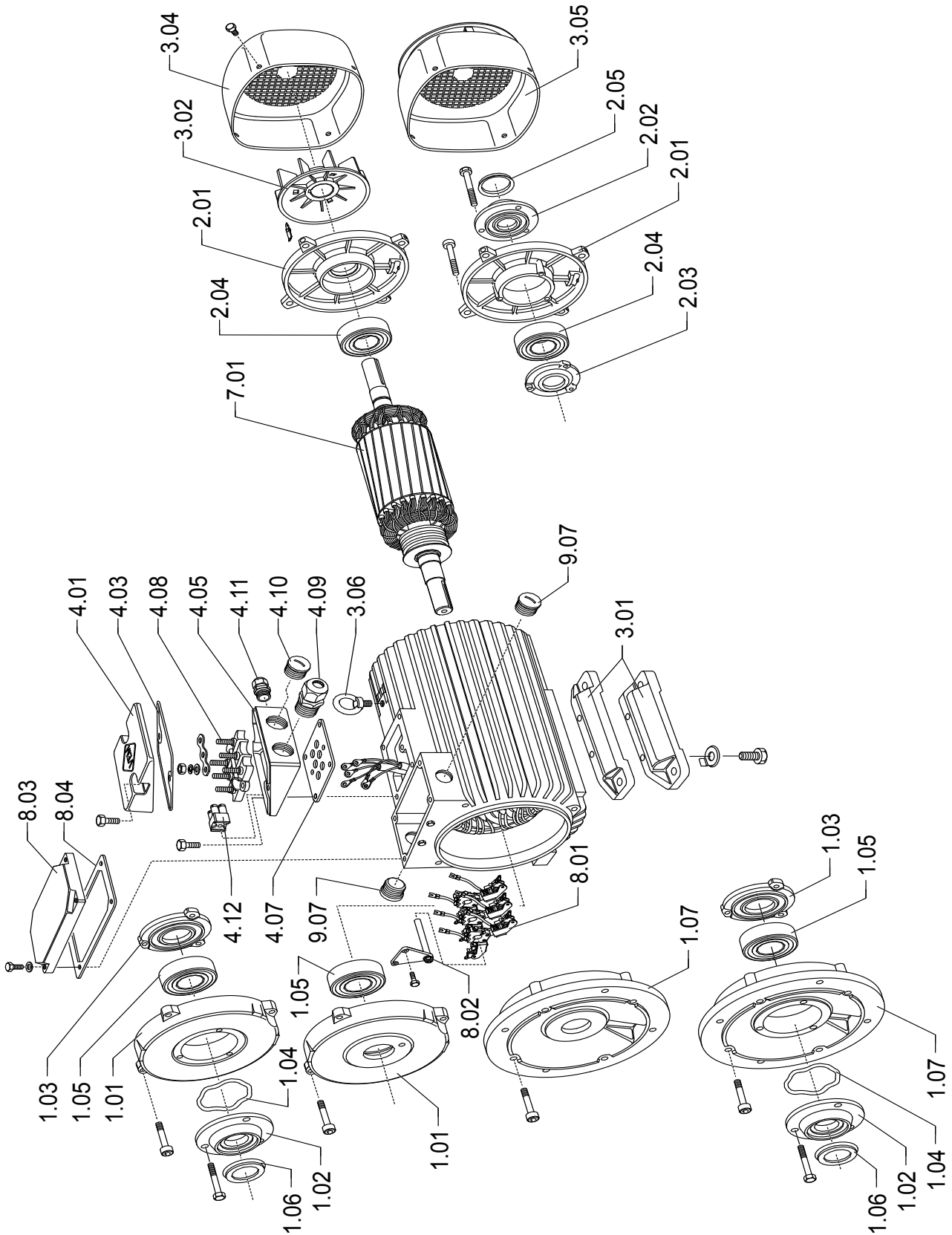


Overview of spare parts: Three-phase asynchronous motors with slip-ring rotor

Item no.	Designation
1.01	End shield D-end
1.02	Bearing cover, D-end, outside
1.03	Bearing cover, D-end, inside
1.04	Disc spring/wave spring, D-end, not with roller bearings
1.05	Antifriction bearing, D-end
1.06	V-ring, D-end
1.07	Flange end shield
1.08	Felt ring, D-end
2.01	End shield, N-end
2.02	Bearing cover, N-end, outside
2.03	Bearing cover, N-end, inside
2.04	Antifriction bearing, N-end
2.05	V-ring, N-end
2.06	Wave spring
2.08	Felt ring, N-end
3.01	Motor feet (pair)
3.02	Fan
3.03	Fan cowl, plastic
3.04	Fan cowl, sheet steel
3.05	Fan cowl with canopy
3.06	Eye bolt
4.01/4.02	Terminal box cover
4.03/4.04	Gasket, terminal box cover
4.05/4.06	Terminal box base
4.07	Gasket, terminal box base
4.08	Terminal plate
4.09	Cable gland
4.10	Screw plug
4.11	Cable gland for thermal winding protection
4.12	Terminal for thermal winding protection
4.13	Clamp
4.14	Sealing plugs
4.15	Adapter plate
4.16	Flat terminal box
4.17	Standard parts bag
5.01	Rotor, complete
6.01	Thrower ring, D-end
6.02	Thrower ring, N-end
6.03	Labyrinth gland, D- and N-end
6.04	Guide disc, D-end
6.05	Guide disc, N-end
7.01	Slip-ring rotor with slip rings
8.01	Brush holder
8.02	Brush carrier plate with brush pin
8.03	Protective cover for slip ring compartment
8.04	Gasket for protective cover
8.05	Cover for fan cowl
9.01	Terminal box cover for rotor terminal box
9.02	Gasket, terminal box cover for rotor terminal box
9.03	Terminal plate for rotor connection
9.04	Terminal box base for rotor connection
9.05	Cable gland for rotor connection
9.06	Adapter flange for rotor terminal box
9.07	Screw plug for rotor connection

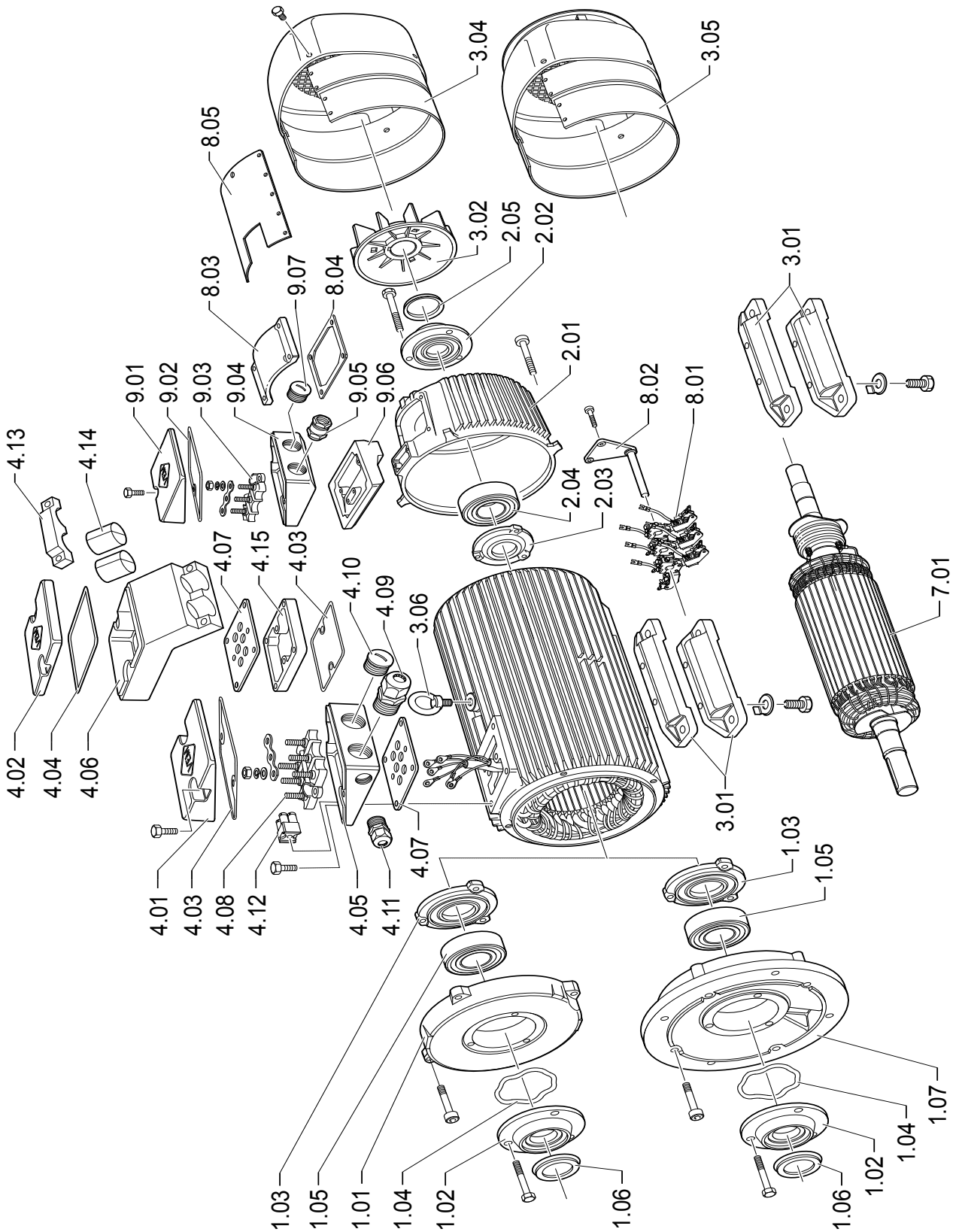
Three-phase asynchronous motor with slip-ring rotor, basic version
SPER 132 – 250/S11R 280 – 315 M, SPEH 132 – 250/S11R 250 – 315 M, SPR, SPH

(Example; delivered version may differ in certain details)



**Three-phase asynchronous motor with slip-ring rotor, basic version
S11R 315 MX, MY, LX, LY / S11H 315 MX, MY, LX, LY**

(Example; delivered version may differ in certain details)

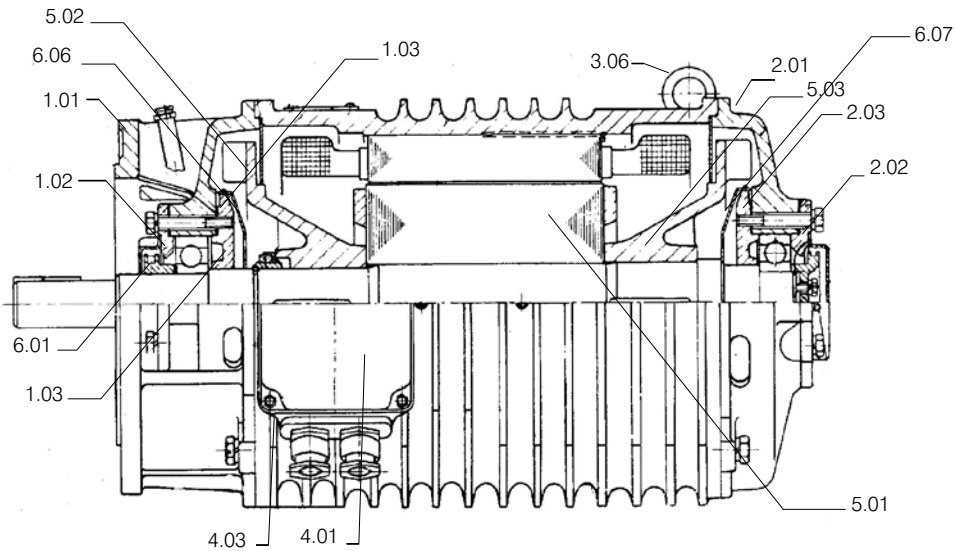


Overview of spare parts: Three-phase roller table motors

Item no.	Designation
1.01	End shield D-end
1.02	Bearing cover, D-end, outside
1.03	Bearing cover, D-end, inside
1.04	Disc spring/wave spring, D-end, not with roller bearings
1.05	Antifriction bearing, D-end
1.06-1	V-ring, D-end
1.06-2	γ-ring, D-end
1.07	Flange end shield
1.08-1	Radial shaft seal 1, D-end
1.08-2	Radial shaft seal 2, D-end
1.09	Liner, D-end
2.01	End shield, N-end
2.02	Bearing cover, N-end, outside
2.03	Bearing cover, N-end, inside
2.04	Antifriction bearing, N-end
2.05	V-ring, N-end
2.06	Wave spring, N-end (or D-end)
3.01	Motor feet (pair)
3.02	Fan
3.03	Fan cowl, plastic
3.04	Fan cowl, sheet steel
3.05	Fan cowl with canopy
3.06	Eye bolt
4.01/4.02	Terminal box cover
4.03/4.04	Gasket, terminal box cover
4.05/4.06	Terminal box base
4.07	Gasket, terminal box base
4.08	Terminal plate
4.09	Cable gland
4.10	Screw plug
4.11	Cable gland for thermal winding protection
4.12	Terminal for thermal winding protection
4.13	Clamp
4.14	Sealing plugs
4.15	Adapter plate
4.16	Flat terminal box
4.17	Standard parts bag
5.01	Rotor, complete
5.02	Heat sink, D-end
5.03	Heat sink, N-end
6.01	Thrower ring, D-end
6.02	Thrower ring, N-end
6.03	Labyrinth gland, D- und N-end
6.04	Guide disc, D-end
6.05	Guide disc, N-end
6.06	Cover, D-end
6.07	Cover, N-end
7.01	Speed sensor or tacho
7.02	Brake
8.01	Gearbox

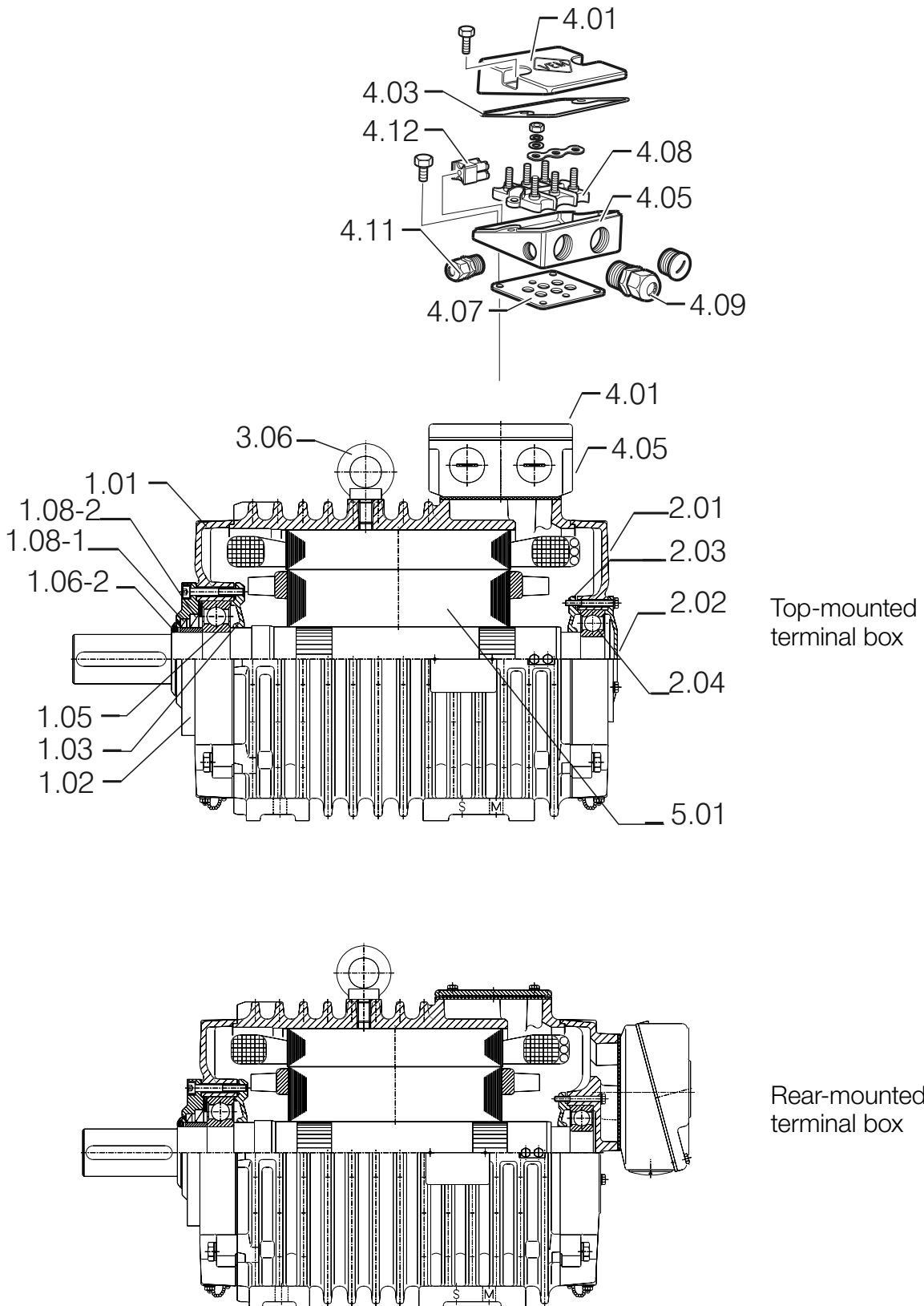
Three-phase roller table motor, basic version ARB 22–65

(Example for construction type IM B5, further types (IM B3 und IM B35) possible;
delivered version may differ in certain details)



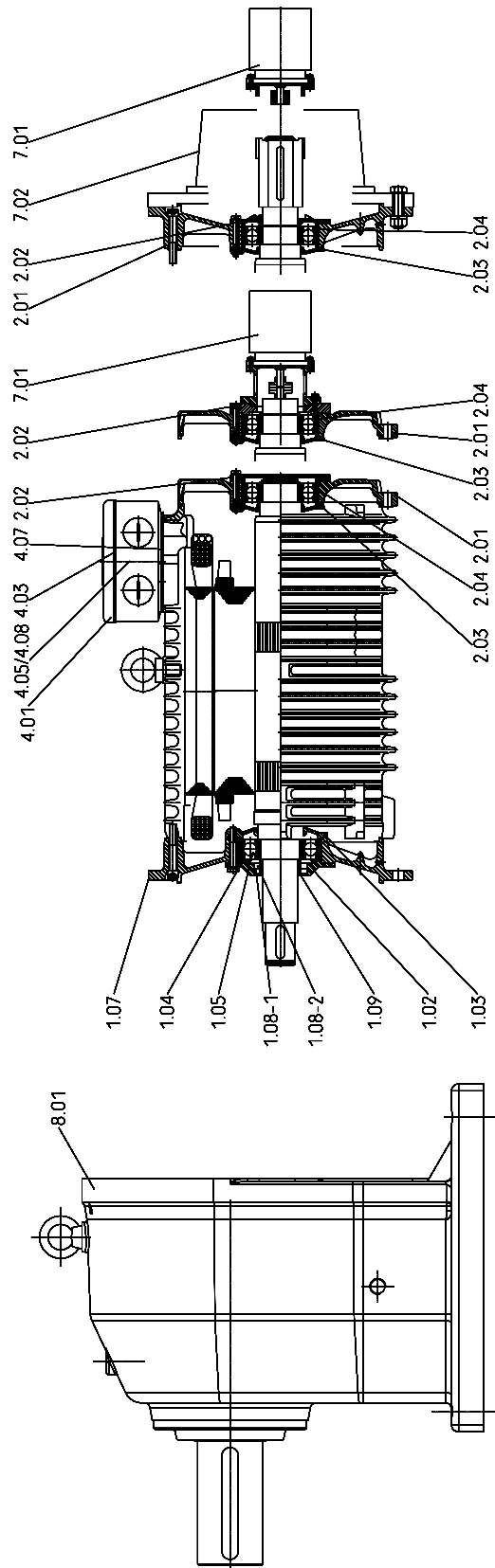
Three-phase roller table motor, basic version ARC 112-400

(Example; delivered version may differ in certain details)



Three-phase roller table motor, special version AR. 112–400
Geared motor version
Built-on speed sensor or tacho, brake, speed sensor or tacho

(Example; delivered version may differ in certain details)



VEM Holding GmbH

Pirnaer Landstraße 176
01257 Dresden
Germany

Sales

Low voltage department

Tel. +49 3943 68-3127
Fax +49 3943 68-2440
E-mail: low-voltage@vem-group.com

High voltage department

Tel. +49 351 208-3237
Fax +49 351 208-1108
E-mail: high-voltage@vem-group.com

Drive systems department

Tel. +49 351 208-1180
Fax +49 351 208-1185
E-mail: drive-systems@vem-group.com

VEM Service

Tel. +49 351 208-3237
Fax +49 351 208-1108
E-mail: service@vem-group.com



For detailed information
please visit our website.

www.vem-group.com