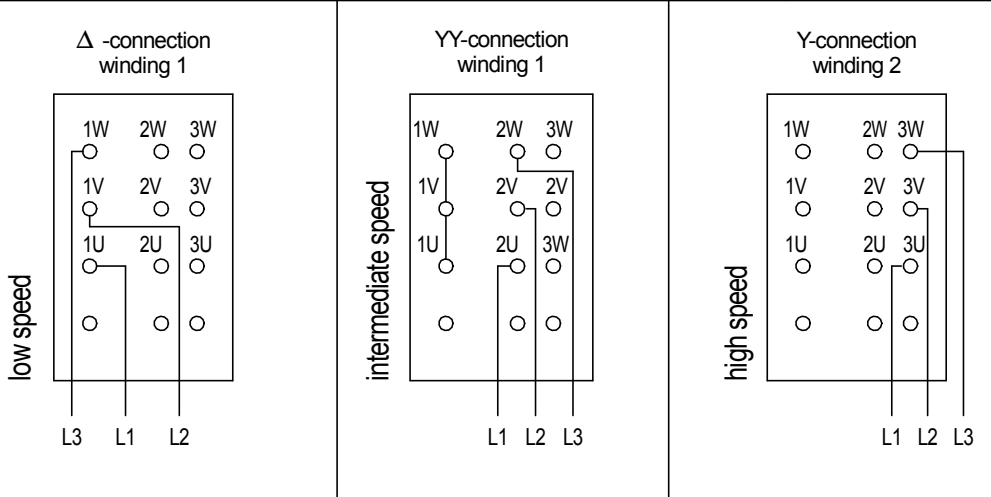


Three-phase motor for 3 speeds
 with 2 separate windings
 winding 1 in Dahlander connection for speed 1, 2

Conn. diagram
KP 0041



For pole-changing switch connect all terminals with pole-changing switch
 star connections for intermediate speed by pole-changing switch

			Datum	25.09.2005	
			Bearb	Kresse	
			Gepr		
			Norm		
			 Zeichnungs-Nr. KP 0041 e		
01					Elektromotorenwerk Wernigerode
Zust.	Mitteilung	Datum	Name		