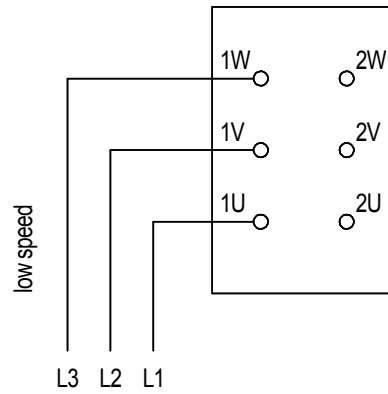


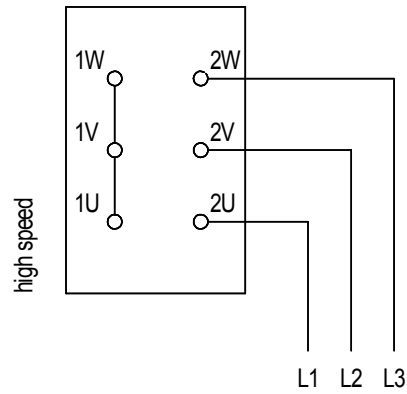
Three-phase motor with 2 speeds
with 1 winding with Dahlander-circuitry Y / YY

Conn. diagram
KP 0007


Y - connection



YY - connection



For pole-changing switch connect all terminals with switch
Star connection for high speed by pole-changing switch

			Datum	22.11.2004	
			Bearb	Kresse	
			Gepr		
			Norm		
01					
Zust	Mitteilung	Datum	Name		
				 Elektromotorenwerk Wernigerode	Zeichnungs-Nr. KP 0007 e
					Blatt
					Bl.