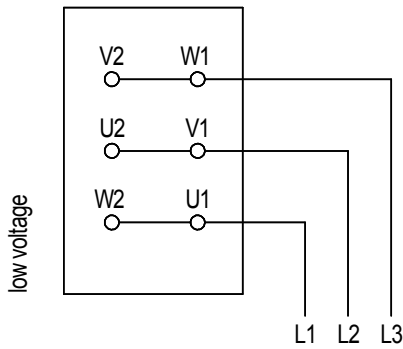


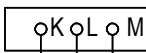
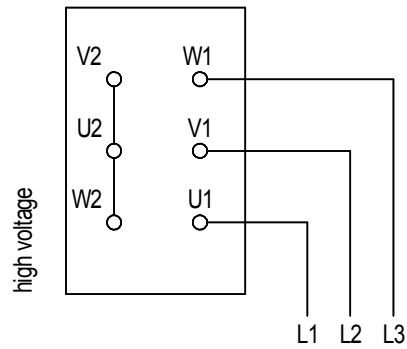
Three-phase motor with slip-ring rotor

Conn. diagram
KP 0002

△ - connection




Y-connection



Rotor connection acc. to type at rotor terminals or brush-holder
For brush-holder connection cable entry must be fastened

for special marking: RSR - reverse locking, sense of rotation cw (clock-wise)
RSL - reverse locking, sense of rotation ccw (counter clock-wise)

the motor is internally connected in the respective sense of rotation. Connect always L1 - U1; L2 - V1; L3 - W1 according to terminal board. DO NOT CHANGE THE CONNECTIONS!!!

			Datum	22.11.2004	
			Bearb	Kresse	
			Gepr		
			Norm		
0.1					
Zust:	Mitteilung	Datum	Name		
				 Elektromotorenwerk Wernigerode	Zeichnungs-Nr. KP 0002 e
					Blatt
					Bl.